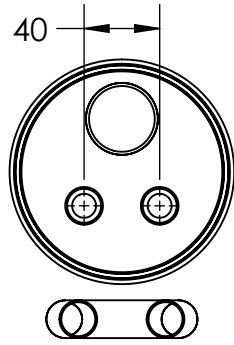
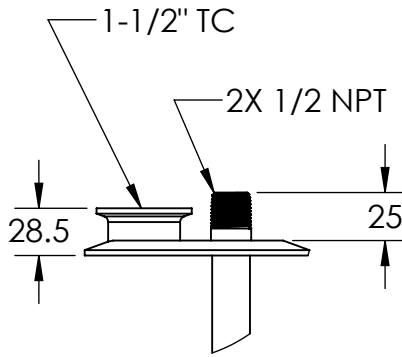
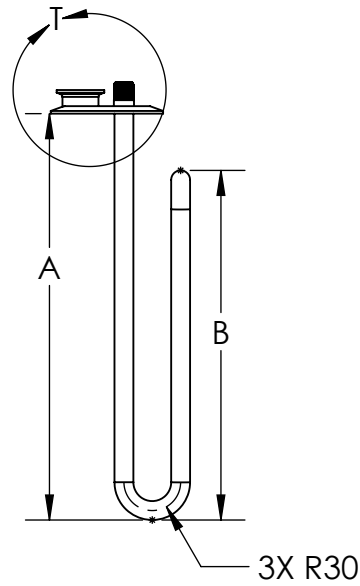
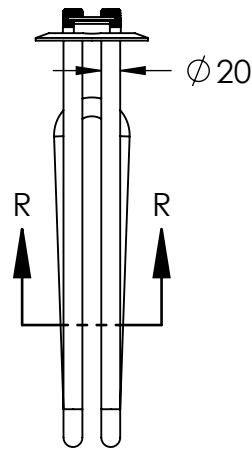


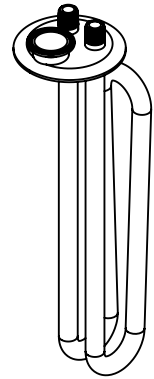
Part Number	Description	Dimension A	Dimension B
FV-041-01	F4 7 Gal Coil Assy	430	370
FV-042-02	F4 14/19 Gal Coil Assy	542	460
FV-044-01	F4 1BBL Gal Coil Assy	1000	895



SECTION R-R



DETAIL T



Fits inside a standard 4" TC port

PROPRIETARY AND CONFIDENTIAL THE INFORMATION CONTAINED IN THIS DRAWING IS THE SOLE PROPERTY OF BLICHMANN ENGINEERING, LLC. ANY REPRODUCTION IN PART OR AS A WHOLE WITHOUT THE WRITTEN PERMISSION OF BLICHMANN ENGINEERING, LLC IS STRICTLY PROHIBITED.	DIMENSIONS ARE IN MILLIMETERS. INTERPRET GEOMETRIC TOLERANCING PER ASME Y14.5M-1994 TOLERANCES UNLESS OTHERWISE SPECIFIED: ANGULAR: ±1 deg ONE DECIMAL PLACE: ±0.5 TWO PLACE DECIMAL: ±0.15		NAME	DATE	G4 Cooling Coil Assy			
			DRAWN	SKT			10/25/21	
			CHECKED	PAV	10/25/21	SIZE A	DWG. NO. G4 Coil Assy Sales DWG	
			MATERIAL	303/304 SS			SCALE:	
FINISH	.8umRa							