

# Aromanator™

## Assembly, Operation, & Maintenance



Congratulations on your purchase and thank you for selecting the Aromanator™ from Blichmann Engineering™. We are confident that it will provide you years of service and many gallons of outstanding beer. This manual will familiarize you with the use, assembly, and sanitation procedures for the product.



## IMPORTANT INFORMATION

### PLEASE READ AND THOROUGHLY UNDERSTAND THIS MANUAL PRIOR TO USE FOR IMPORTANT SAFETY INFORMATION!

- WARNING:** Sections labeled "Warning" can lead to serious injury or death if not followed. Please thoroughly read these sections and understand them completely before use. If you do not understand them or have any questions, contact your retailer or Blichmann Engineering ([www.BlichmannEngineering.com](http://www.BlichmannEngineering.com)) before use.
- CAUTION:** Sections labeled "Caution" can lead to equipment damage or unsatisfactory performance of the equipment if not followed. Please read these sections thoroughly. If you have any questions, contact your retailer or Blichmann Engineering ([www.BlichmannEngineering.com](http://www.BlichmannEngineering.com)) before use.
- IMPORTANT:** Sections labeled "Important" should specifically be followed to ensure satisfactory results with the product.

### ABOUT THIS MANUAL

This manual is broken down into the following sections:

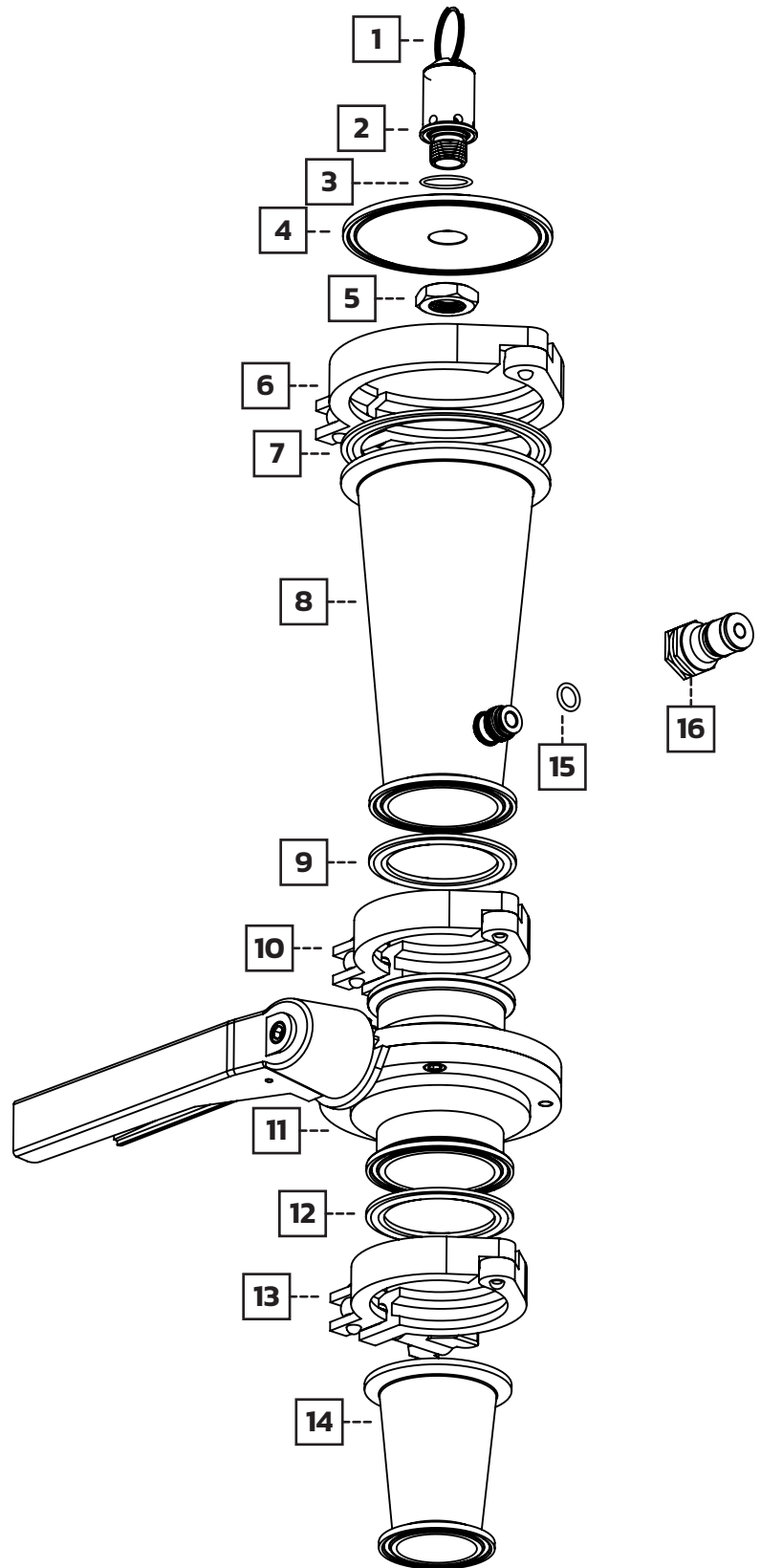
**Cleaning and Preparation:** Proper assembly procedures to ensure reliable, safe, leak-free operation of your Aromanator™. Be sure to read the sanitizing section before the first use of your Aromanator™ since most parts are sanitized before assembly.

**Purging and Depressurizing:** Safely relieving the pressure in your Aromanator™ before adding hops.

**Operation:** Techniques to get the most out of your Aromanator™.

# What's In the Box?

#	Item Number	Description
1	FV-013-00	PRV Assembly
2	BE-001888-00	PRV Body
3	BE-001972-00	Weldless PRV O-ring
4	BE-001816-01	Aromanator™ Cap
5	BE-001897-00	5/8" Nut
6	BE-000950-00	3" TC Clamp
7	BE-001477-00	3" Gasket
8	BE-001815-03	2-3" Tube with Fitting
9	BE-000867-00	2" Gasket
10	BE-000862-00	2" Clamp
11	BE-001364-00	2" TC Valve
12	BE-000867-00	2" Gasket
13	BE-000862-00	2" Clamp
14	BE-001365-00	2" TC to 1.5" TC Reducer
15	BE-001271-00	Keg Post O-ring
16	BE-000804-00	Gas Post



Please check your box to make sure you have received all parts.

**NOTE:** Some parts will be partially assembled to protect them during shipment.

## CLEANING AND PREPARATION

Disassemble and wash all components with Powdered Brewery Wash (PBW) before use. Sanitize all surfaces with a home brewing sanitizer such as StarSan. Assemble the Aromanator™ as shown in the picture on the previous page.

**WARNING:** Do NOT use any cleaner or sanitizer containing chlorine, such as bleach. This will pit and erode the stainless steel.

**WARNING:** Do NOT remove any clamps from a pressurized fermentor. Depressurize the fermentor before removing clamps from anywhere on the fermentor. Failure to follow this warning could result in serious injury or death.

## PURGING AND DEPRESSURIZING

1. Pull on the ring attached to the pressure relief valve (PRV).
2. The pull ring must be lifted away from the PRV body for 5 seconds to relieve all pressure from the vessel. More time may be required depending on the amount of pressure in the fermentor.
3. Before removing any clamps from the ports, the previous steps must be done again to confirm all pressure is relieved.

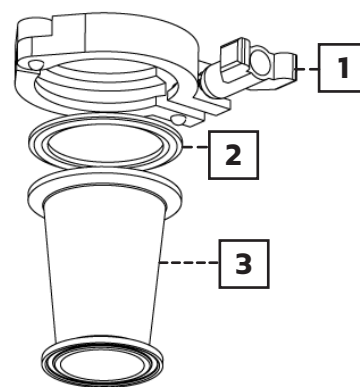
## OPERATION

1. Release all pressure from the tank and install the Aromanator™ on a vertical 1-1/2" tri-clamp port. Open the 2" butterfly valve and PRV. In order to open the PRV, lift the pull-ring, rotate it 90°, and rest it into the detent. Purge the tank with CO2 from a carb stone or a keg post adapter.
2. Close the valve and remove the transparent 3" tri-clamp and cap.
3. Pour no more than 9oz of pelletized hops into the Aromanator™ and re-install the cap and clamp with the gasket.
4. Verify that the PRV is open and attach a gas ball lock to the post.
5. Purge the air out of the Aromanator™ for 5-10 seconds with CO2. Be sure not to exceed 15 PSI while purging. You may match the pressure of the Aromanator™ and the tank, or depressurize the tank and the Aromanator™ during the next step. Depressurize the Aromanator™ if using it on a non-pressurized tank.
6. Open the 2" butterfly valve to dispense the hops into the tank. You might need to open and close the butterfly valve to dislodge larger pellets or clumps.
7. Close the butterfly valve, depressurize the Aromanator™, and uninstall it. Reinstall your preferred venting accessory, such as an airlock, blow-off tube, or spunding valve.

## OPTIONAL REDUCER ACCESSORY KIT

To avoid exposing the beer to oxygen during installation, install this kit to the fermentor before fermentation. This will allow you to attach 1-1/2" tri-clamp accessories to the 2" tri-clamp valve for full O2-free installation of the Aromanator™. You may need to purchase another reducer for the top of the 2" valve to use other accessories, such as a blow-off tube, spunding valve, or airlock.

**Warning:** Do not ferment with a valve installed in the closed position. Do not leave the fermentor un-attended with the valve in the closed position and without an approved spunding valve, free flowing blow-off, or airlock installed.



#	Item Number	Description
1	BE-000862-00	2" TC Clamp
2	BE-000867-00	2" Gasket
3	BE-001365-00	2" TC to 1.5" TC Reducer

# Blichmann Engineering Product Warranty

## A. Limited Warranty

1. Blichmann Engineering provides a limited lifetime warranty to the original purchaser that this product will be free from manufacturing defects in material and workmanship. Proof of purchase is required. Blichmann Engineering's obligation to repair or replace defective materials or workmanship is the sole obligation of Blichmann Engineering under this limited warranty.
  - a. Excluded from this limited warranty are seals, gaskets, accessories, and normal wear and tear.
2. This product is for home use only. The limited warranty covers only those defects that arise as a result of normal use of the product and does not cover any other problems, including, but not limited to, those that arise as a result of:
  - a. Improper maintenance or modification;
  - b. Damage due to incorrect voltage or improper wiring by customer;
  - c. Operation outside of the product's specifications;
  - d. Carelessness or neglect to operate the product in accordance with instructions provided with the product;
  - e. Damaging the tamper label on the product;
  - f. Damage by over-tightening the fasteners;
  - g. Failure to follow cleaning and / or maintenance procedures; or
  - h. Exceeding published operational temperatures.
3. Blichmann Engineering reserves the right to request delivery of the defective component for inspection before processing the warranty claim. If Blichmann Engineering receives, during the applicable warranty period, notice of a defect in any component that is covered by the warranty, Blichmann Engineering shall either repair or replace the defective component with a new or rebuilt component at Blichmann Engineering's option.
4. Blichmann Engineering must be notified within seven (7) days of the delivery date of any shipping damage. Customer is responsible for shipping damage outside of this time period. Approval for return must be provided by Blichmann Engineering prior to any return. Customer is responsible for keeping all original packaging material for warranty returns. Blichmann Engineering is not responsible for damage from improperly packaged warranty returns, and these repair costs will be the sole responsibility of the customer. Shipping costs for warrantee returns are covered only for the contiguous United States.
5. Blichmann Engineering's limited warranty is valid in any country where the product is distributed.

## B. Limitations of Warranty

1. Any implied warranty that is found to arise by way of state or federal law, including any implied warranty of merchantability or any implied warranty of fitness, is limited in duration to the terms of this limited warranty and is limited in scope of coverage to this warranty. Blichmann Engineering disclaims any express or implied warranty, including any implied warranty of fitness for a particular purpose or merchantability, on items excluded from coverage as set forth in this limited warranty.
2. Blichmann Engineering makes no warranty of any nature beyond that contained in this limited warranty. No one has authority to enlarge, amend, or modify this limited warranty, and Blichmann Engineering does not authorize anyone to create any other obligation for it regarding this product.
3. Blichmann Engineering is not responsible for any representation, promise, or warranty made by any independent dealer or other person beyond what is expressly stated in this limited warranty. Any selling or servicing dealer is not Blichmann Engineering's agent, but an independent entity.

## C. Limitations of Liability

1. The remedies provided in this warranty are the customer's sole and exclusive remedies.
2. Except for the obligations specifically set forth in this warranty, in no event shall Blichmann Engineering be liable for direct, indirect, special, incidental, or consequential damages, whether based on contract, tort, or any other legal theory and whether or not advised of the possibility of such damages.
3. This warranty does not cover, and in no event shall Blichmann Engineering be liable for, travel, lodging, or any other expense incurred due to manufacturing defects in material and workmanship, or any other reason.
4. Any performance of repairs after the warranty coverage period has expired or performance of repairs regarding anything excluded from coverage after this limited warranty shall be considered good-will repairs and they will not alter the terms of this limited warranty, or extend any warranty coverage period.
5. Venue for any legal proceedings relating to or arising out of this warranty shall be in Tippecanoe County, Indiana, United States, which courts will have exclusive jurisdiction.

## D. Local Law

1. This warranty gives the customer specific legal rights. The customer may also have other rights that vary from state to state in the United States or other countries.
2. To the extent that this warranty is inconsistent with local law, it shall be deemed modified, only to the extent necessary to be consistent with such local law.

This product uses food grade materials anywhere the product touches the beverage.

Warning: This product contains or may contain chemical(s) known to the State of California to cause cancer, birth defects, or other reproductive harm.