

BOTTLE CAPPER

ASSEMBLY & MAINTENANCE MANUAL



PARTS LIST

Part	Description	Quantity
1	Post Assembly	1
2	Handle	1
3	Base	1
4	Mounting Screws with Nuts	3
5	Thumb Screw	1
6	Handle Pivot Bolt and Nut	1
7	Height Adjustment Mechanism	1
8	Capping Bell	1

ASSEMBLY

Step 1: Attach the post assembly (1) to the base (3) with the mounting screws with nuts (4). Do not over tighten. Remove the thumb screw (5) when installing the mounting screws with nuts and reinstall.

Step 2: Install the handle (2) to the height adjustment mechanism (7) with the handle pivot bolt and nut (6). Gently tighten to avoid cracking the assembly.

To adjust the height, push the button on the height adjustment mechanism (7) and raise or lower the mechanism. Release the button to lock the mechanism in place.

OPERATION

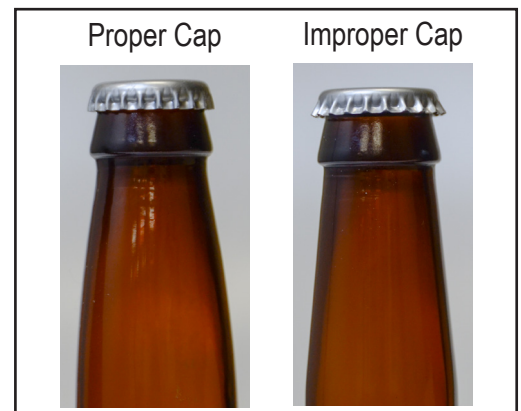
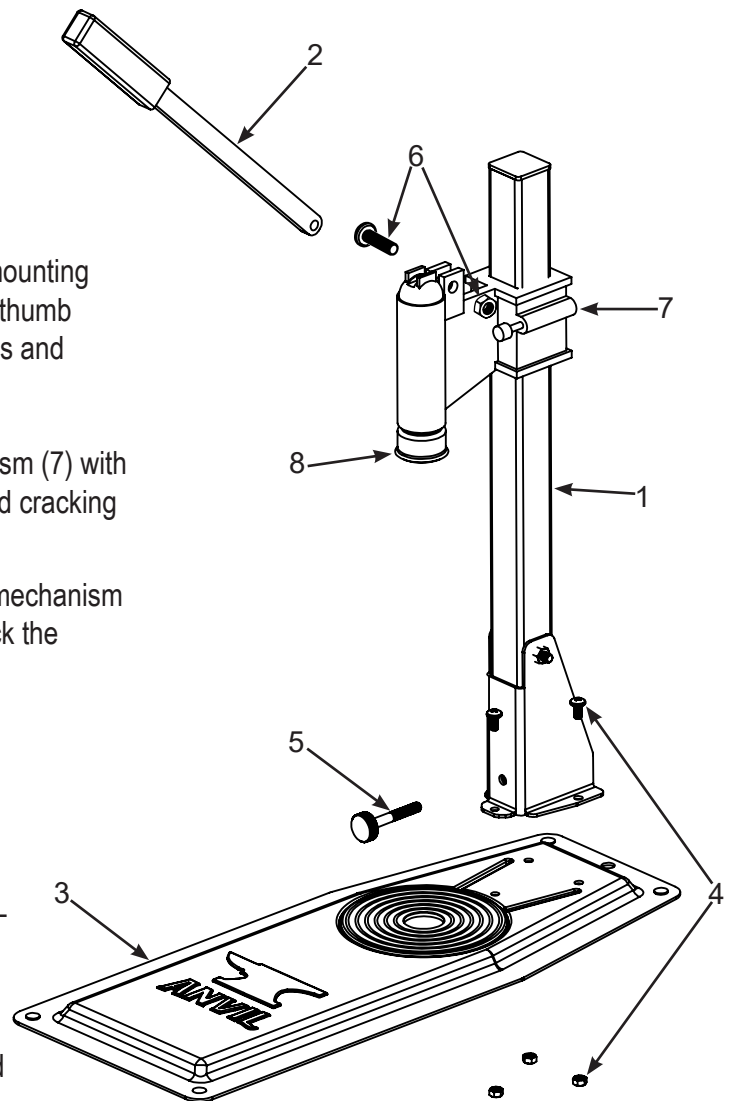
Step 1: Set the height of the capping bell (8) as close to the height of your bottles as possible.

Step 2: After your cap is sanitized, place the cap onto the magnet inside the capping bell (8).

Step 3: Set the bottle under the capping bell (8) and pull down on the handle firmly until you feel the cap crimp around the top of the bottle. **DO NOT** use excessive force when capping bottles as this can leave a deformed "ring" in the cap or break the bottle. The maximum force of the capper should be reached when the handle is horizontal.

Helpful tips:

1. For best results, use a premium cap when bottling.
2. Never re-use caps or cap a threaded bottle top.
3. Don't forget to sanitize the caps and bottles before use.
4. The magnet inside the bell is included to hold the cap before each use. This piece can be removed if desired.
5. Inspect all bottles for cracks or damage before use.
6. Wear protective eye wear and gloves when in use.
7. 29mm bells are available for capping bottles with larger tops. You can find them on the ANVIL replacement parts website.



CLEANING AND STORAGE

Wash with mild detergent and wipe dry. Remove the thumb screw (5) and fold down the post assembly (1). Reinstall the thumb screw (5) into the bottom of the post assembly to ensure it's not misplaced.



ANVIL BREWING EQUIPMENT PRODUCT WARRANTY

A. Limited Warranty

1. ANVIL Brewing Equipment warrants to the original purchaser that this product will be free from manufacturing defects in material workmanship for a period of one (1) year from the date of purchase by the customer. Proof of purchase is required. ANVIL Brewing Equipment's obligation to repair or replace defective materials or workmanship is the sole obligation of ANVIL Brewing Equipment under this limited warranty.
2. This product is for home use only. The limited warranty covers only those defects that arise as a result of normal use of the product and does not cover any other problems, including, but not limited to, those that arise as a result of:
 - a. Improper maintenance or modification;
 - b. Damage due to incorrect voltage or improper wiring by customer;
 - c. Operation outside of the product's specifications;
 - d. Carelessness or neglect to operate the product in accordance with instructions provided with the product;
 - e. Damaging the tamper label on the product;
 - f. Damage by over-tightening the fasteners;
 - g. Failure to follow cleaning and / or maintenance procedures; or
 - h. Exceeding published operational temperatures.
3. ANVIL Brewing Equipment reserves the right to request delivery of the defective component for inspection before processing the warranty claim. If ANVIL Brewing Equipment receives, during the applicable warranty period, notice of a defect in any component that is covered by the warranty, ANVIL Brewing Equipment shall either repair or replace the defective component with a new or rebuilt component at ANVIL Brewing Equipment's option.
4. ANVIL Brewing Equipment must be notified within seven (7) days of the delivery date of any shipping damage. Customer is responsible for shipping damage outside of this time period. Approval for return must be provided by ANVIL Brewing Equipment prior to any return. Customer is responsible for keeping all original packaging material for warranty returns. ANVIL Brewing Equipment is not responsible for damage from improperly packaged warranty returns, and these repair costs will be the sole responsibility of the customer. Shipping costs for warrantee returns are covered only for the contiguous United States.
5. ANVIL Brewing Equipment's limited warranty is valid in any country where the product is distributed.

B. Limitations of Warranty

1. Any implied warranty that is found to arise by way of state or federal law, including any implied warranty of merchantability or any implied warranty of fitness, is limited in duration to the terms of this limited warranty and is limited in scope of coverage to this warranty. ANVIL Brewing Equipment disclaims any express or implied warranty, including any implied warranty of fitness for a particular purpose or merchantability, on items excluded from coverage as set forth in this limited warranty.
2. ANVIL Brewing Equipment makes no warranty of any nature beyond that contained in this limited warranty. No one has authority to enlarge, amend, or modify this limited warranty, and
3. ANVIL Brewing Equipment does not authorize anyone to create any other obligation for it regarding this product.
4. ANVIL Brewing Equipment is not responsible for any representation, promise, or warranty made by any independent dealer or other person beyond what is expressly stated in this limited warranty. Any selling or servicing dealer is not ANVIL Brewing Equipment's agent, but an independent entity.

C. Limitations of Liability

1. The remedies provided in this warranty are the customer's sole and exclusive remedies.
2. Except for the obligations specifically set forth in this warranty, in no event shall ANVIL Brewing Equipment be liable for direct, indirect, special, incidental, or consequential damages, whether based on contract, tort, or any other legal theory and whether or not advised of the possibility of such damages.
3. This warranty does not cover, and in no event shall ANVIL Brewing Equipment be liable for, travel, lodging, or any other expense incurred due to manufacturing defects in material and workmanship, or any other reason.
4. Any performance of repairs after the warranty coverage period has expired or performance of repairs regarding anything excluded from coverage after this limited warranty
5. Shall be considered good-will repairs and they will not alter the terms of this limited warranty, or extend any warranty coverage period.
6. Venue for any legal proceedings relating to or arising out of this warranty shall be in Tippecanoe County, Indiana, United States, which courts will have exclusive jurisdiction.

D. Local Law

1. This warranty gives the customer specific legal rights. The customer may also have other rights that vary from state to state in the United States or other countries.
2. To the extent that this warranty is inconsistent with local law, it shall be deemed modified, only to the extent necessary to be consistent with such local law.