



KettleKart™

Modular Brewing Cart

Assembly, Operation & Maintenance

Congratulations on your purchase, and thank you for selecting the KettleKart™ from Blichmann Engineering™. We are confident that it will provide you years of service and many gallons of outstanding beer. This manual will familiarize you with the assembly, operation, and maintenance of the KettleKart™.

IMPORTANT!!

**** PLEASE READ THOROUGHLY PRIOR TO USE FOR IMPORTANT SAFETY INFORMATION ****

Warning: Sections labeled "Warning" can lead to serious injury or death if not followed. Please read these thoroughly and understand them completely before use. If you do not understand them or have any questions, contact your retailer or Blichmann Engineering™ (www.BlichmannEngineering.com) before use. Do NOT at ANY time operate the product until you thoroughly read and understand these instructions!

Caution: Sections labeled "Caution" can lead to equipment damage or unsatisfactory performance of the equipment. Please read these sections thoroughly. If you have any questions, contact your retailer or Blichmann Engineering™ (www.BlichmannEngineering.com) before use.

Important: Sections labeled "Important" are critical to the proper performance and life of the product.

Assembly:

Kettle Kart™ is packaged unassembled to allow for more economical shipping and to reduce damage in shipment. A list of components included with your Kettle Kart™ follows as well as the basic tools required for assembly. Please carefully review the lists below to ensure you received all of the correct parts and have the required tools prior to assembly.

Parts List:

Item	Quantity	Item	Quantity
Cart Body	1	5/16-24 Hex Nut	12
Cart Stiffener	1	5/16 Washer	12
3" Caster	4	5/16 Split Ring Lock Washer	12
L-Bracket	4	5/16-24 x 3/4" Hex Bolt	12
1/4-20 x 1/2" Hex Bolt	12	1/4-20 Hex Nut	12

Required Tools:

2 x 7/16" Wrenches



2 x 1/2" Wrenches



Step One:

With the open side of the cart facing up, align each Caster with its corresponding holes. Starting with the corner hole first, place 5/16-24 x 3/4" Hex Bolt (individually) through hole from the bottom up. While holding the screw in place, use other hand to install a lock washer, then washer, and lastly a 5/16-24 Hex Nut finger tight. Repeat with remaining casters. Once hardware is in place, use wrenches to tighten.

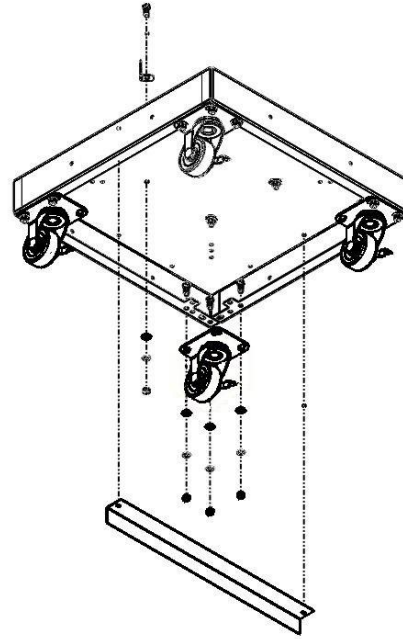


Figure 1

Step Two:

With the open side of the cart facing up, install from the bottom up two 1/4-20 x 1/2" Hex Bolts through two of the holes in the outermost hole-pattern that are opposite one another. Install the cart stiffener over the 1/4-20 x 1/2" hex bolts and install 1/4-20 x 1/2" hex nuts. See Figure 2.

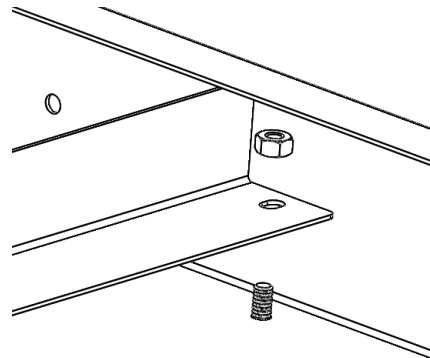


Figure 2

Step Three:

Install the four L-Brackets on the KettleKart™ using the 1/4-20 x 1/2" hex bolts and 1/4-20 x 1/2" hex nuts. The innermost hole-pattern is intended for securing a TopTier™ floor burner to the KettleKart™. The outer hole-patterns are intended for retaining BoilerMaker™ kettles outfitted with a BoilCoil™ electric immersion heater. See Figure 3.

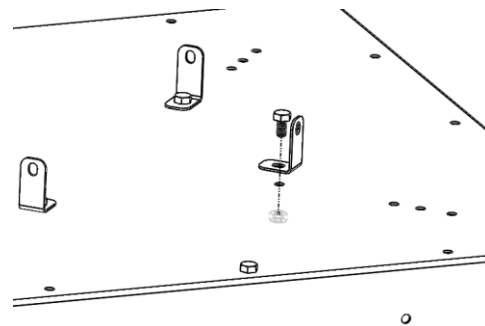


Figure 3

TopTier™ Burner Installation:

Attach the TopTier™ floor burner to the KettleKart™ using the remaining 1/4-20 x 1/2" hex bolts and nuts. Align the legs of the TopTier™ floor burner with the L-Brackets and install the fasteners through the mating holes.

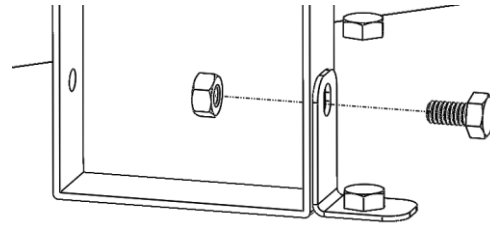


Figure 4

Connecting Multiple Carts:

Multiple KettleKarts™ can be ganged together. Up to three carts can be attached to one another in either a row or an "L" configuration (see Figure 6 & 7). Align the side of one KettleKart™ to the next, orienting the holes in the side of one cart with the holes in the adjacent cart. Attach the two KettleKarts™ with the supplied 1/4-20 x 1/2" hex nut and bolts. When connecting two KettleKarts™ together, the casters will span the connecting faces. Align the holes in the casters with corresponding holes as shown in Figure 5a. Connecting KettleKarts™ in an "L" configuration will require one caster to bridge all three carts at the inside corner of the "L". See Figure 5b.

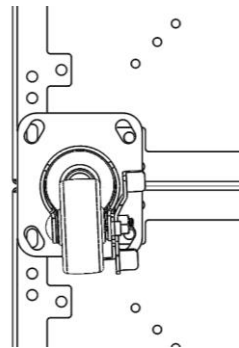


Figure 5a

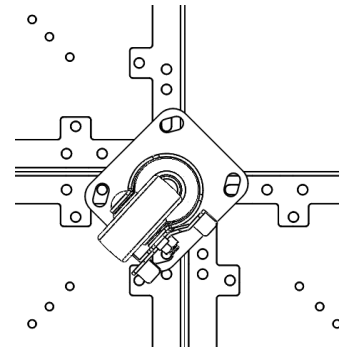


Figure 5b

Important:

Retain unused casters in the event you wish to operate any of the KettleKarts™ in a standalone fashion.

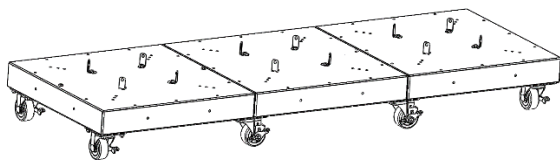


Figure 6

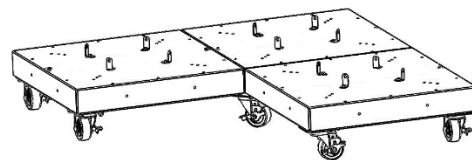


Figure 7

Operation:

The KettleKart™ adds mobility to your brew kettle, hot liquor tank, and/or mash tun. However, never move the KettleKart™ with a full kettle. Always be sure to lock casters when using the KettleKart™ with a full kettle. See Figure 8.

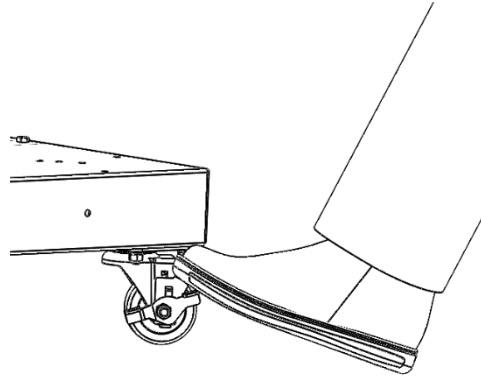


Figure 8

Always:

- Lock casters when in use
- Use L-Bracket to retain kettle or secure burner
- Use on hard level surface
- Check and ensure fasteners are tight
- Use original factory replacement parts

Never:

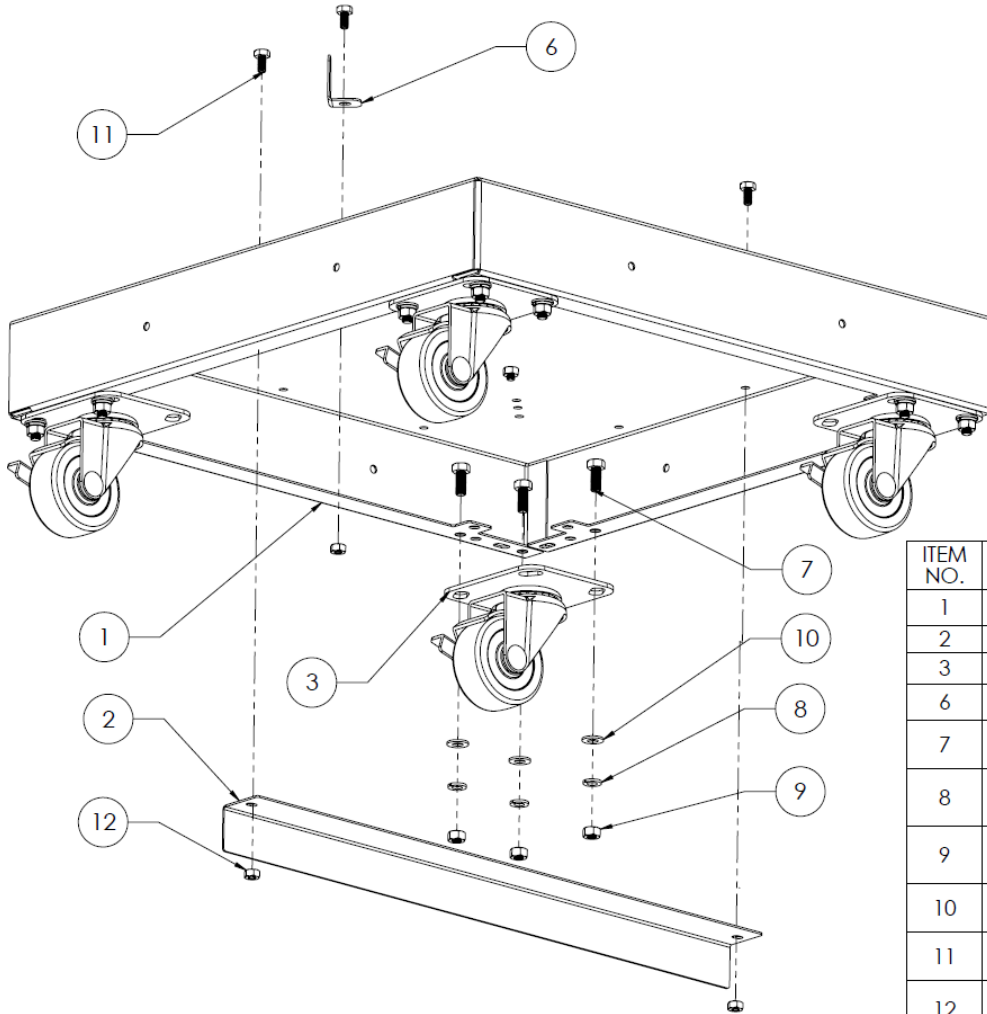
- Move KettleKart™ when kettle is full
- Operate with loose or missing hardware
- Use on soft or uneven surfaces
- Modify or alter the KettleKart™

Maintenance:

The KettleKart™ will periodically require cleaning after use. Use hot water and Five Star Chemical's Powdered Brewery Wash or similar detergent and a scrub brush or ScotchBrite™ scouring pad to remove any heavy soil deposits.

Before and after each use, inspect the KettleKart™ for wear or damage. If any of the KettleKart™ components show signs of wear or damage discontinue use and contact your Blichmann Engineering™ authorized retailer for replacement parts.

Exploded Parts Diagram:



ITEM NO.	PART NUMBER	DESCRIPTION	QTY.
1	BE-000302-02	Frame	1
2	BE-000431-00	Stiffener	1
3	BE-000477-00	Caster	4
6	BE-000305-00	L-Bracket	4
7	NA	5/16-18 x 3/4" Hex Bolt	12
8	NA	5/16 Lock Washer	12
9	NA	5/16 -18 Hex Nut	12
10	NA	5/16 Flat Washer	12
11	NA	1/4-20 x 1/2" Hex Bolt	12
12	NA	1/4-20 Hex Nut	12

Blichmann Engineering Product Warranty

A. Limited Warranty

1. Blichmann Engineering warrants to the original purchaser that this product will be free from manufacturing defects in material and workmanship for a period of one (1) year from the date of purchase by the customer. Proof of purchase is required. Blichmann Engineering's obligation to repair or replace defective materials or workmanship is the sole obligation of Blichmann Engineering under this limited warranty.
 2. This product is for home use only. The limited warranty covers only those defects that arise as a result of normal use of the product and does not cover any other problems, including, but not limited to, those that arise as a result of:
 - a. *Improper maintenance or modification;*
 - b. *Damage due to incorrect voltage or improper wiring by customer;*
 - c. *Operation outside of the product's specifications;*
 - d. *Carelessness or neglect to operate the product in accordance with instructions provided with the product;*
 - e. *Damaging the tamper label on the product;*
 - f. *Damage by over-tightening the fasteners;*
 - g. *Failure to follow cleaning and / or maintenance procedures; or*
 - h. *Exceeding published operational temperatures.*
 3. Blichmann Engineering reserves the right to request delivery of the defective component for inspection before processing the warranty claim. If Blichmann Engineering receives, during the applicable warranty period, notice of a defect in any component that is covered by the warranty, Blichmann Engineering shall either repair or replace the defective component with a new or rebuilt component at Blichmann Engineering's option.
 4. Blichmann Engineering must be notified within seven (7) days of the delivery date of any shipping damage. Customer is responsible for shipping damage outside of this time period. Approval for return must be provided by Blichmann Engineering prior to any return. Customer is responsible for keeping all original packaging material for warranty returns. Blichmann Engineering is not responsible for damage from improperly packaged warranty returns, and these repair costs will be the sole responsibility of the customer. Shipping costs for warrantee returns are covered only for the contiguous United States.
 5. Blichmann Engineering's limited warranty is valid in any country where the product is distributed.
-

B. Limitations of Warranty

1. Any implied warranty that is found to arise by way of state or federal law, including any implied warranty of merchantability or any implied warranty of fitness, is limited in duration to the terms of this limited warranty and is limited in scope of coverage to this warranty. Blichmann Engineering disclaims any express or implied warranty, including any implied warranty of fitness for a particular purpose or merchantability, on items excluded from coverage as set forth in this limited warranty.
 2. Blichmann Engineering makes no warranty of any nature beyond that contained in this limited warranty. No one has authority to enlarge, amend, or modify this limited warranty, and Blichmann Engineering does not authorize anyone to create any other obligation for it regarding this product.
 3. Blichmann Engineering is not responsible for any representation, promise, or warranty made by any independent dealer or other person beyond what is expressly stated in this limited warranty. Any selling or servicing dealer is not Blichmann Engineering's agent, but an independent entity.
-

C. Limitations of Liability

1. The remedies provided in this warranty are the customer's sole and exclusive remedies.
 2. Except for the obligations specifically set forth in this warranty, in no event shall Blichmann Engineering be liable for direct, indirect, special, incidental, or consequential damages, whether based on contract, tort, or any other legal theory and whether or not advised of the possibility of such damages.
 3. This warranty does not cover, and in no event shall Blichmann Engineering be liable for, travel, lodging, or any other expense incurred due to manufacturing defects in material and workmanship, or any other reason.
 4. Any performance of repairs after the warranty coverage period has expired or performance of repairs regarding anything excluded from coverage after this limited warranty
 5. Shall be considered good-will repairs and they will not alter the terms of this limited warranty, or extend any warranty coverage period.
 6. Venue for any legal proceedings relating to or arising out of this warranty shall be in Tippecanoe County, Indiana, United States, which courts will have exclusive jurisdiction.
-

D. Local Law

1. This warranty gives the customer specific legal rights. The customer may also have other rights that vary from state to state in the United States or other countries.
2. To the extent that this warranty is inconsistent with local law, it shall be deemed modified, only to the extent necessary to be consistent with such local law.