

HopRocket™

Mounting Bracket

Assembly, Operation & Maintenance

Congratulations on your purchase, and thank you for selecting the HopRocket™ Mounting Bracket from Blichmann Engineering™. We are confident that it will provide you years of service and many gallons of outstanding beer. This manual will familiarize you with the assembly, operation, and maintenance of the HopRocket™ Mounting Bracket.

IMPORTANT!!

**** PLEASE READ THOROUGHLY PRIOR TO USE FOR IMPORTANT SAFETY INFORMATION ****

- Warning:** Sections labeled "Warning" can lead to serious injury or death if not followed. Please read these thoroughly and understand them completely before use. If you do not understand them or have any questions, contact your retailer or Blichmann Engineering™ (www.BlichmannEngineering.com) before use. Do NOT at ANY time operate the product until you thoroughly read and understand these instructions!
- Caution:** Sections labeled "Caution" can lead to equipment damage or unsatisfactory performance of the equipment. Please read these sections thoroughly. If you have any questions, contact your retailer or Blichmann Engineering™ (www.BlichmannEngineering.com) before use.
- Important:** Sections labeled "Important" are critical to the proper performance and life of the product.

Assembly:

HopRocket™ Mounting Bracket is packaged unassembled to allow for more economical shipping and to reduce damage in shipment. A list of components included with your HopRocket™ Mounting Bracket follows as well as the basic tools required for assembly. Please carefully review the lists below to ensure you received all of the correct parts and have the required tools prior to assembly.

Parts List:

Item	Quantity	Item	Quantity
Upper Frame	1	T-Slot Plate	1
Lower Frame	1	Shoulder Screw	1
Slide	1	5/16 – 16 Hex Bolt	3

Required Tools:

1/2" Wrench



*Always follow tool manufacturer instructions and safety precautions

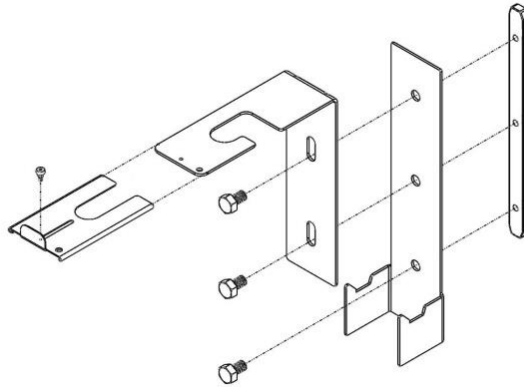


Figure 1

Assembly:

Step One:

Align Slide internal track with outside edges of Upper Frame. With finger tab facing up, fit Slide on to Upper Frame, indexing the dimple on slide with dimple hole on Upper Frame.

Caution: Locating dimple to dimple hole is critical to proper function of slide.

Step Two:

Once Slide is fitted to Upper Frame, insert shoulder screw into threaded hole on Upper Frame and tighten to finger tight.

Step Three:

Align assembled Upper Frame slots with top two holes on Lower Frame. Insert Hex Bolt(s) through slots and bottom hole on Lower Frame, aligning with holes in T-Slot Plate.

Step Four:

Thread Hex Bolts into corresponding threaded holes on T-Slot Plate. Slide T-Slot Plate into track on TopTier™ frame. Once in desired location, tighten bottom Hex Bolt to finger tight.

Tip: Thread Hex Bolts into T-Slot Plate only enough to retain T-Slot Plate. A looser fit between Upper Frame, Lower Frame, and T-Slot Plate will allow for easier assembly with TopTier™ Frame.

Tip: Locating HopRocket™ at lowest point of brewing system fluid cycle decreases possibility of trapped air remaining in liquid line.

Step Five:

Insert HopRocket™ into mount. Index the Upper Frame height to fit HopRocket™. Tighten top two Hex Bolts to finger tight.

Tip: Follow Operation Step 1 to insert HopRocket™ into HopRocket™ Mount.

Warning: Failure to index Upper Mount height to HopRocket™ may result in improper fit when HopRocket™ is installed.

Step Six:

Remove HopRocket™ and tighten all Hex Bolts using Crescent Wrench.

Warning: Always follow manufacturer instructions and safety precautions when using hand and power tools

Operation:

Getting Started

The HopRocket™ Mount is designed to be mounted to the Blichmann Engineering™ TopTier™ Modular Brewing Stand. Although the HopRocket™ mount may be compatible with other commercially available or homemade brewing systems, the TopTier™ Modular Brewing Stand provides the most modular, reliable, and well engineered platform for the HopRocket™ Mount to be installed.

Caution: HopRocket™ and RIMSRocket™ are part of inline brewing system that cycle boiling liquid. CONTENTS ARE LIKELY HOT. Use caution when handling. Before mounting the HopRocket™ in the HopRocket™ Mount, verify that all HopRocket™ fittings are properly connected and free of leaks.

Mounting the HopRocket™

First capture the lower lip of the band clamp with the retaining hooks at the base of the Lower Frame as shown in Figure 2.

Tip: When mounting RIMSRocket™ align Plug guard parallel to retaining hooks to allow proper fit.

Once the base of the HopRocket™ is retained, locate the top outlet of the HopRocket™ into the slot on the Upper Frame as shown in Figure 3.

Close the slide until the dimple on the slide fits into the corresponding dimple hole on the Upper Frame as shown in Figure 4.



Figure 2

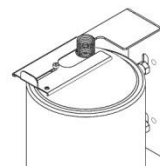


Figure 3

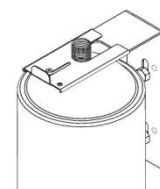


Figure 4

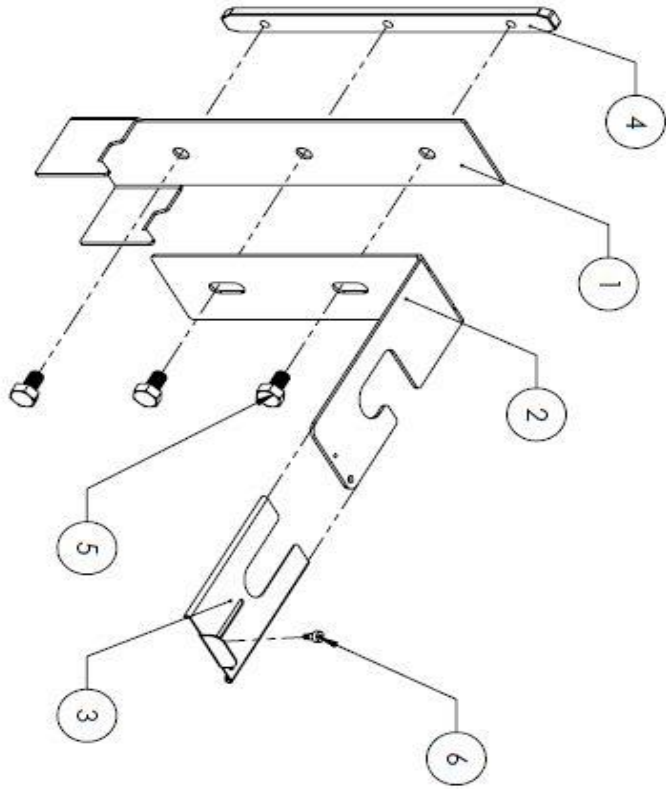
Maintenance:

Cleaning

The HopRocket™ Mount will periodically require cleaning after use. Completely disassemble HopRocket™ Mount before cleaning. Use hot water and Five Star Chemical's Powdered Brewery Wash or similar detergent and a scrub brush or ScotchBrite™ scouring pad to remove any heavy soil deposits.

Before and after each use, inspect the HopRocket™ Mount for wear or damage. If any of the HopRocket™ Mount components show signs of wear or damage discontinue use and contact your Blichmann Engineering™ authorized retailer for replacement parts.

Caution: Never use chlorine bleach to clean your HopRocket™ Mount. Pitting on the surface of the HopRocket™ Mount caused by the use of products containing chlorine is not covered under the warranty.



ITEM NO.	Description	Be Part NO.	QTY.
1	Lower Frame	BE-000403	1
2	Upper Frame	BE-000356	1
3	Slide	BE-000357	1
4	T-Slot Plate	N/A	1
5	5/16 - 16 Hex Bolt	N/A	3
6	shoulder screw	N/A	1

Blichmann Engineering Product Warranty

A. Limited Warranty

1. Blichmann Engineering warrants to the original purchaser that this product will be free from manufacturing defects in material and workmanship for a period of one (1) year from the date of purchase by the customer. Proof of purchase is required. Blichmann Engineering's obligation to repair or replace defective materials or workmanship is the sole obligation of Blichmann Engineering under this limited warranty.
2. This product is for home use only. The limited warranty covers only those defects that arise as a result of normal use of the product and does not cover any other problems, including, but not limited to, those that arise as a result of:
 - a. *Improper maintenance or modification;*
 - b. *Damage due to incorrect voltage or improper wiring by customer;*
 - c. *Operation outside of the product's specifications;*
 - d. *Carelessness or neglect to operate the product in accordance with instructions provided with the product;*
 - e. *Damaging the tamper label on the product;*
 - f. *Damage by over-tightening the fasteners;*
 - g. *Failure to follow cleaning and / or maintenance procedures; or*
 - h. *Exceeding published operational temperatures.*
3. Blichmann Engineering reserves the right to request delivery of the defective component for inspection before processing the warranty claim. If Blichmann Engineering receives, during the applicable warranty period, notice of a defect in any component that is covered by the warranty, Blichmann Engineering shall either repair or replace the defective component with a new or rebuilt component at Blichmann Engineering's option.
4. Blichmann Engineering must be notified within seven (7) days of the delivery date of any shipping damage. Customer is responsible for shipping damage outside of this time period. Approval for return must be provided by Blichmann Engineering prior to any return. Customer is responsible for keeping all original packaging material for warranty returns. Blichmann Engineering is not responsible for damage from improperly packaged warranty returns, and these repair costs will be the sole responsibility of the customer. Shipping costs for warrantee returns are covered only for the contiguous United States.
5. Blichmann Engineering's limited warranty is valid in any country where the product is distributed.

B. Limitations of Warranty

1. Any implied warranty that is found to arise by way of state or federal law, including any implied warranty of merchantability or any implied warranty of fitness, is limited in duration to the terms of this limited warranty and is limited in scope of coverage to this warranty. Blichmann Engineering disclaims any express or implied warranty, including any implied warranty of fitness for a particular purpose or merchantability, on items excluded from coverage as set forth in this limited warranty.
2. Blichmann Engineering makes no warranty of any nature beyond that contained in this limited warranty. No one has authority to enlarge, amend, or modify this limited warranty, and Blichmann Engineering does not authorize anyone to create any other obligation for it regarding this product.
3. Blichmann Engineering is not responsible for any representation, promise, or warranty made by any independent dealer or other person beyond what is expressly stated in this limited warranty. Any selling or servicing dealer is not Blichmann Engineering's agent, but an independent entity.

C. Limitations of Liability

1. The remedies provided in this warranty are the customer's sole and exclusive remedies.
2. Except for the obligations specifically set forth in this warranty, in no event shall Blichmann Engineering be liable for direct, indirect, special, incidental, or consequential damages, whether based on contract, tort, or any other legal theory and whether or not advised of the possibility of such damages.
3. This warranty does not cover, and in no event shall Blichmann Engineering be liable for, travel, lodging, or any other expense incurred due to manufacturing defects in material and workmanship, or any other reason.
4. Any performance of repairs after the warranty coverage period has expired or performance of repairs regarding anything excluded from coverage after this limited warranty
5. shall be considered good-will repairs and they will not alter the terms of this limited warranty, or extend any warranty coverage period.
6. Venue for any legal proceedings relating to or arising out of this warranty shall be in Tippecanoe County, Indiana, United States, which courts will have exclusive jurisdiction.

D. Local Law

1. This warranty gives the customer specific legal rights. The customer may also have other rights that vary from state to state in the United States or other countries.
2. To the extent that this warranty is inconsistent with local law, it shall be deemed modified, only to the extent necessary to be consistent with such local law.